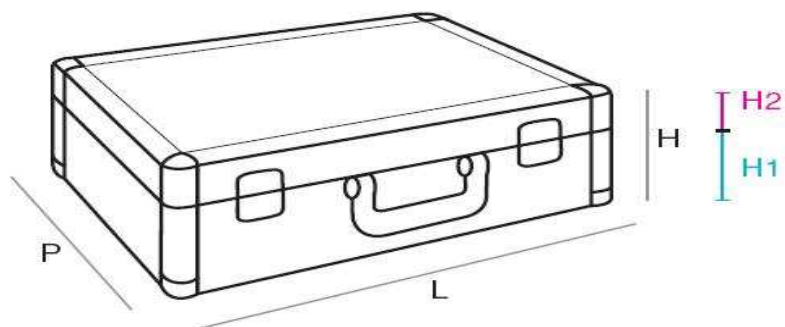


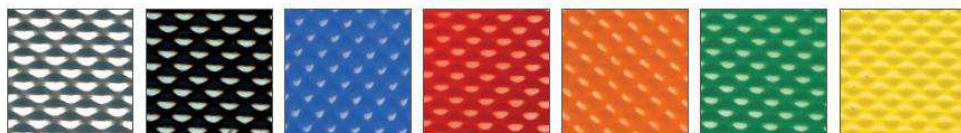
# VALIGIE STARC · ART. PC/170



	L	P	H	H1	H2
external	430	325	95	-	-
internal	415	308	-	45	30

## EMBOSSED ALUMINIUM

### COLORS



## SMOOTH FINISH ALUMINIUM

### COLORS



## WEIGHT

art. PC/170 = 3,2 kg