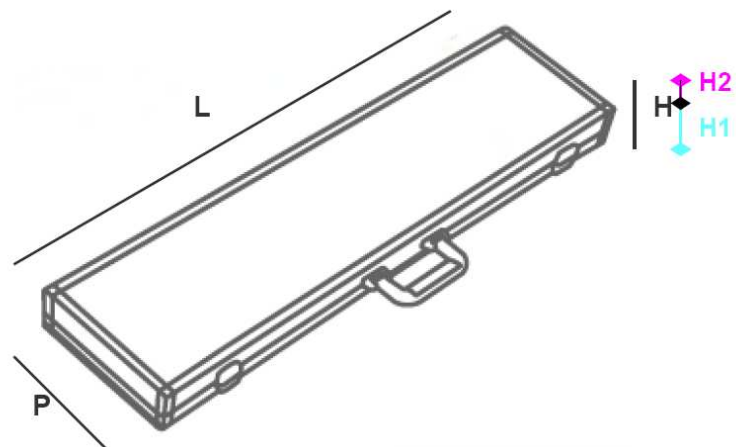


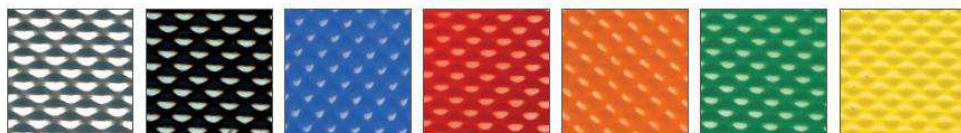
VALIGIE STARC · ART. SWL/900



	L	P	H	H1	H2
external	920	245	100	-	-
internal	900	230	-	60	30

EMBOSSED ALUMINIUM

COLORS



SMOOTH FINISH ALUMINIUM

COLORS



WEIGHT

art. **SWL/900** = 5,0 kg