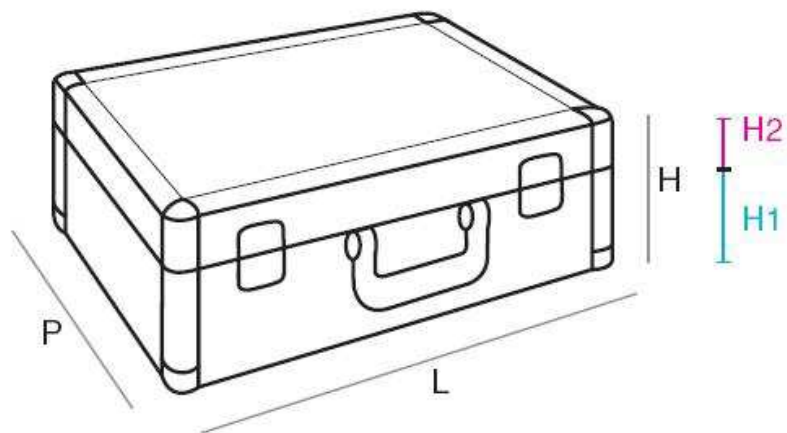


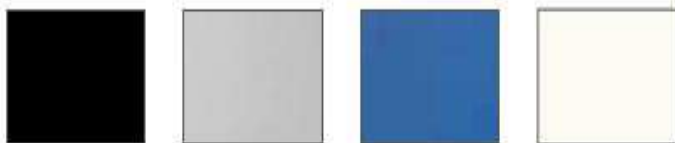
VALIGIE HPL · ART. 170/HPL



	L	P	H	H1	H2
external	455	320	100	-	-
internal	435	295	-	50	30

LAMINATE

COLORS



WEIGHT

art. 170/HPL/D = 2,5 kg · art. 170/HPL/S = 2,5 kg