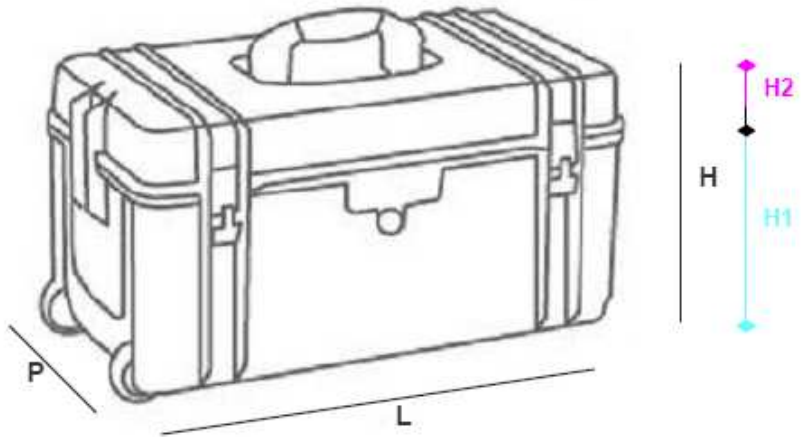


# BAULI HERMETIC · ART. TX81/2/W



	L	P	H	H1	H2
external	810	585	480	-	-
internal	745	525	-	385	70

## HIGH PERFORMANCE RESINS

---

### COLORS



### WEIGHT

---

art. TX81/2/W/S = 13,6 kg · art. TX81/2/W/V = 13,2 kg