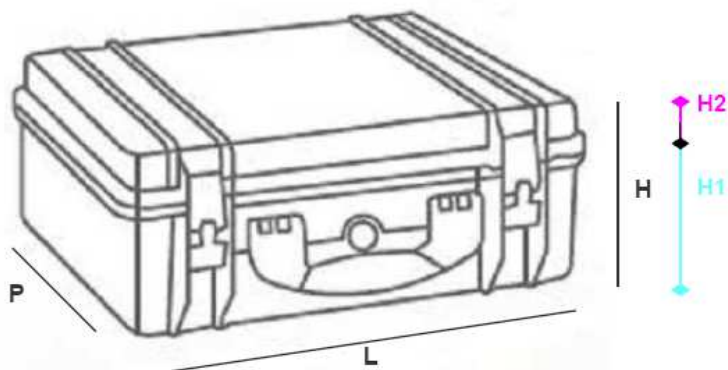


VALIGIE HERMETIC · ART. TX55/W



	L	P	H	H1	H2
external	550	420	260	-	-
internal	484	360	-	170	40

HIGH PERFORMANCE RESINS

COLORS



WEIGHT

art. TX55/W/U = 8,2 kg · art. TX55/W/S = 6,4 kg · art. TX55/W/V = 6,0 kg