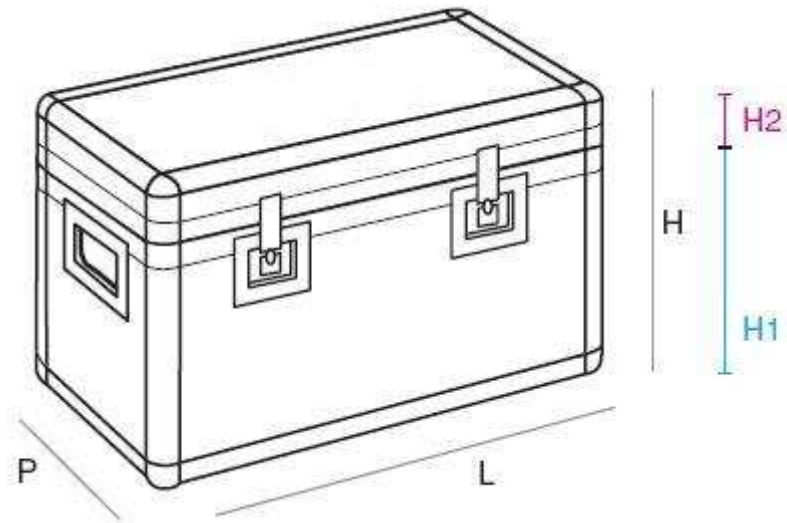


HPL BAULI • ART. 83/HPL

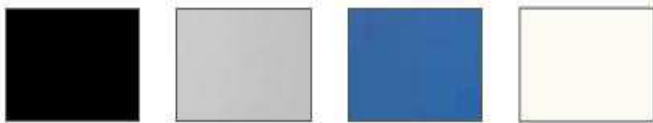
FRAM®



	L	P	H	H1	H2
external	820	420	440	-	-
internal	800	400	-	370	50

LAMINATE

COLORS



WEIGHT

art. 83/HPL = 11,5 kg