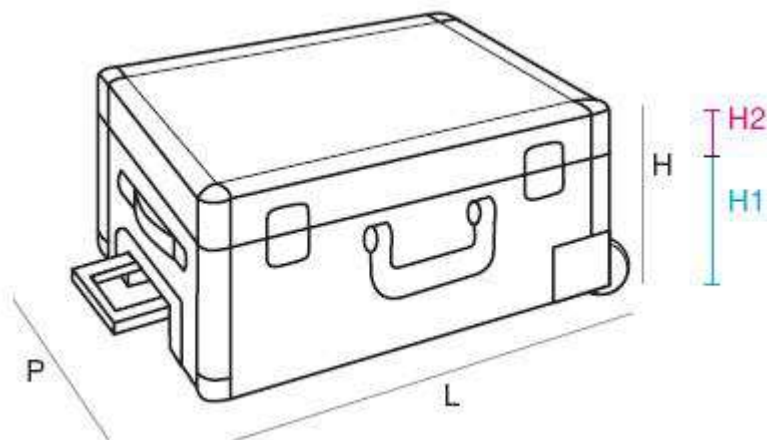


# VALIGIE TECNO · ART. CARRY/T/2



	L	P	H	H1	H2
external	545	330	245	-	-
internal	520	305	-	130	50

ABS

COLORS



WEIGHT

art. **CARRY/T/2** = 9,4 kg · art. **CARRY/T/2/V** = 8,2 kg