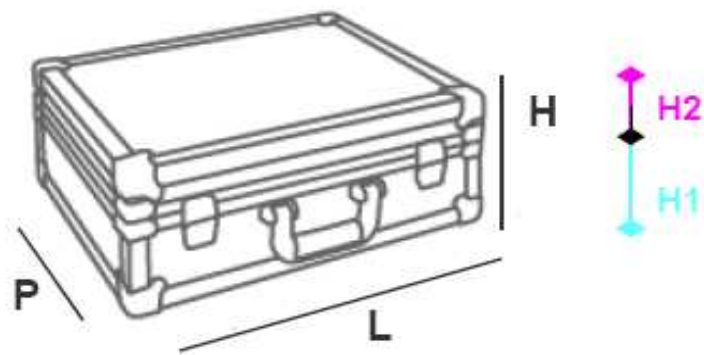


VALIGIE TECNO · ART. 197/BA



	L	P	H	H1	H2
external	450	350	140	-	-
internal	420	325	-	75	45

ABS

COLORS



WEIGHT

art. 197/BA = 4,8 kg · art. 197/BA/D = 3,4 kg · 197/BA/S = 3,4 kg · 197/BA/S1 = 3,4 kg

art. 197/BA/CR/15S = + 1 kg